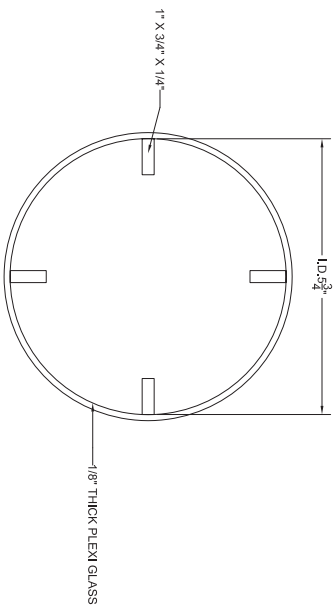
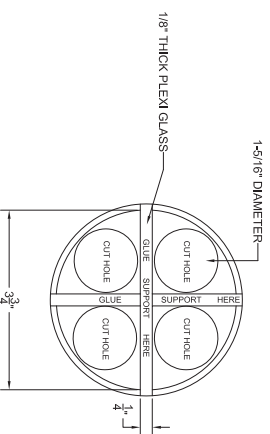


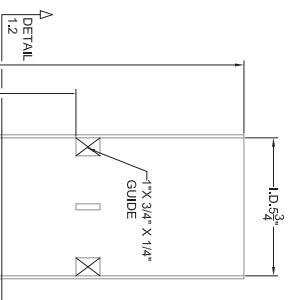
1.1 PEDESTAL DETAIL  
DET-1 1" = 1"



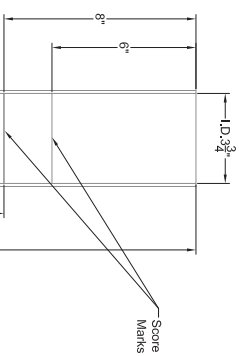
1.2 SECTION  
DET-1 1" = 1"



1.3 BOTTOM VIEW  
DET-1 1" = 1"



1.4 ELEVATION  
DET-1 6" = 1"



1.5 ELEVATION  
DET-1 6" = 1"

Drawing Name:  
**Low-Head Falling Head Permeability  
Apparatus (Plexiglass)**

Date:  
May 28, 2009  
Scale:  
See Drawing

© Roofscapes, Inc.  
7135 Germantown Ave.  
2nd Floor  
Philadelphia, PA 19119  
215.247.8784

[ASTM E2396]

DET-1