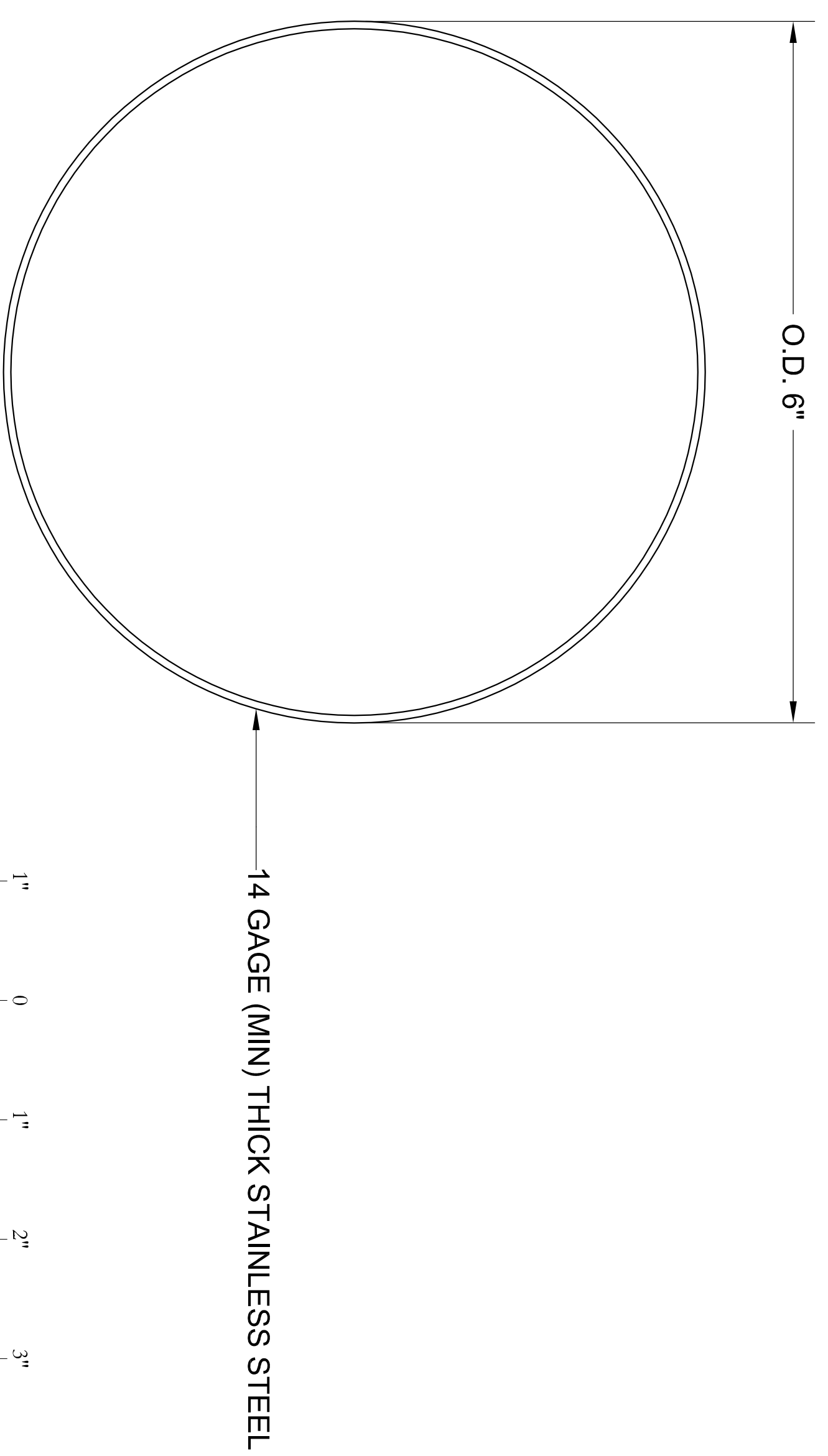
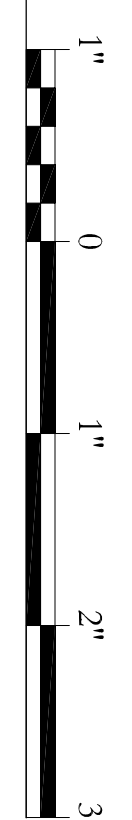
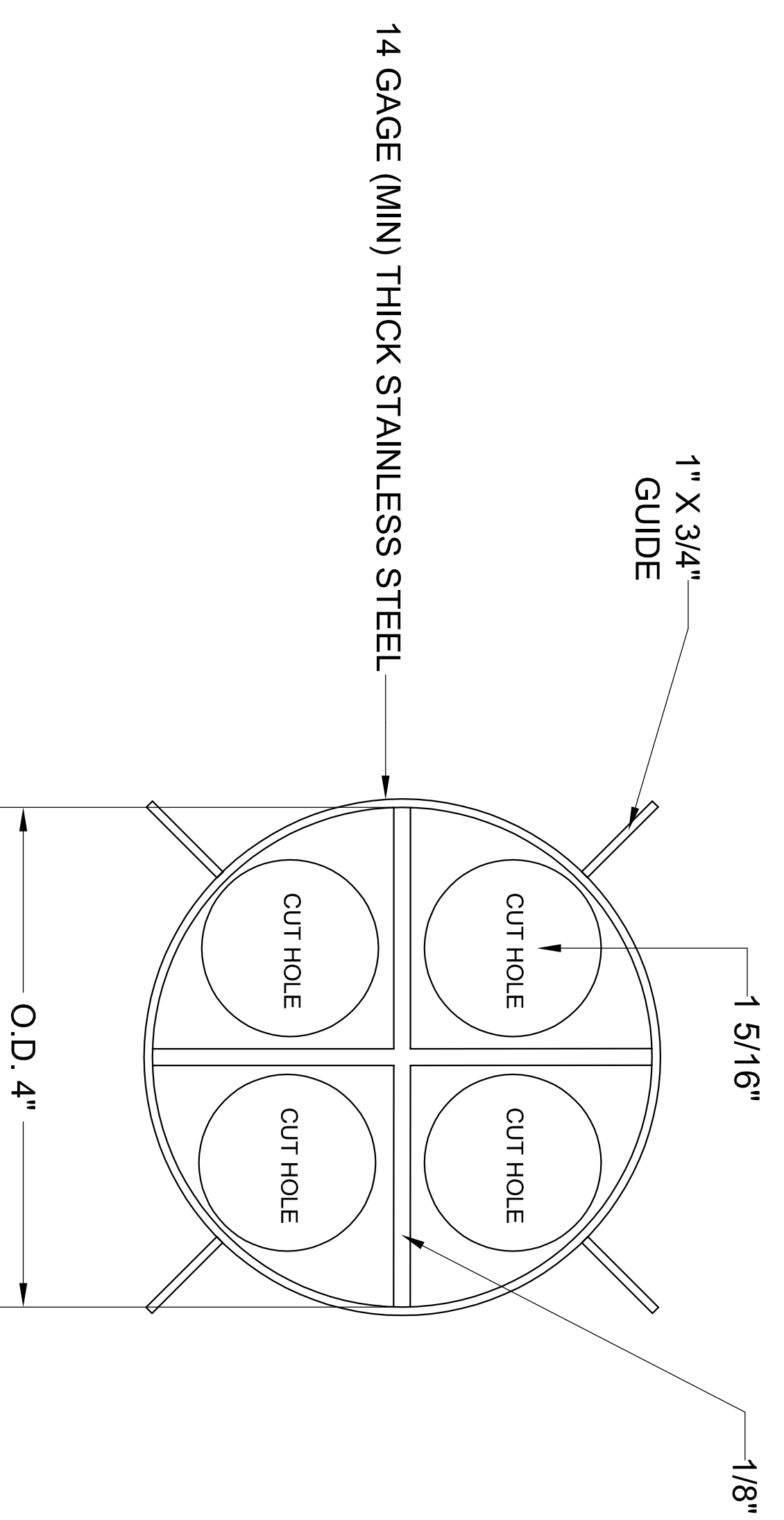
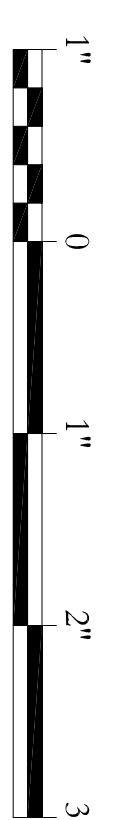


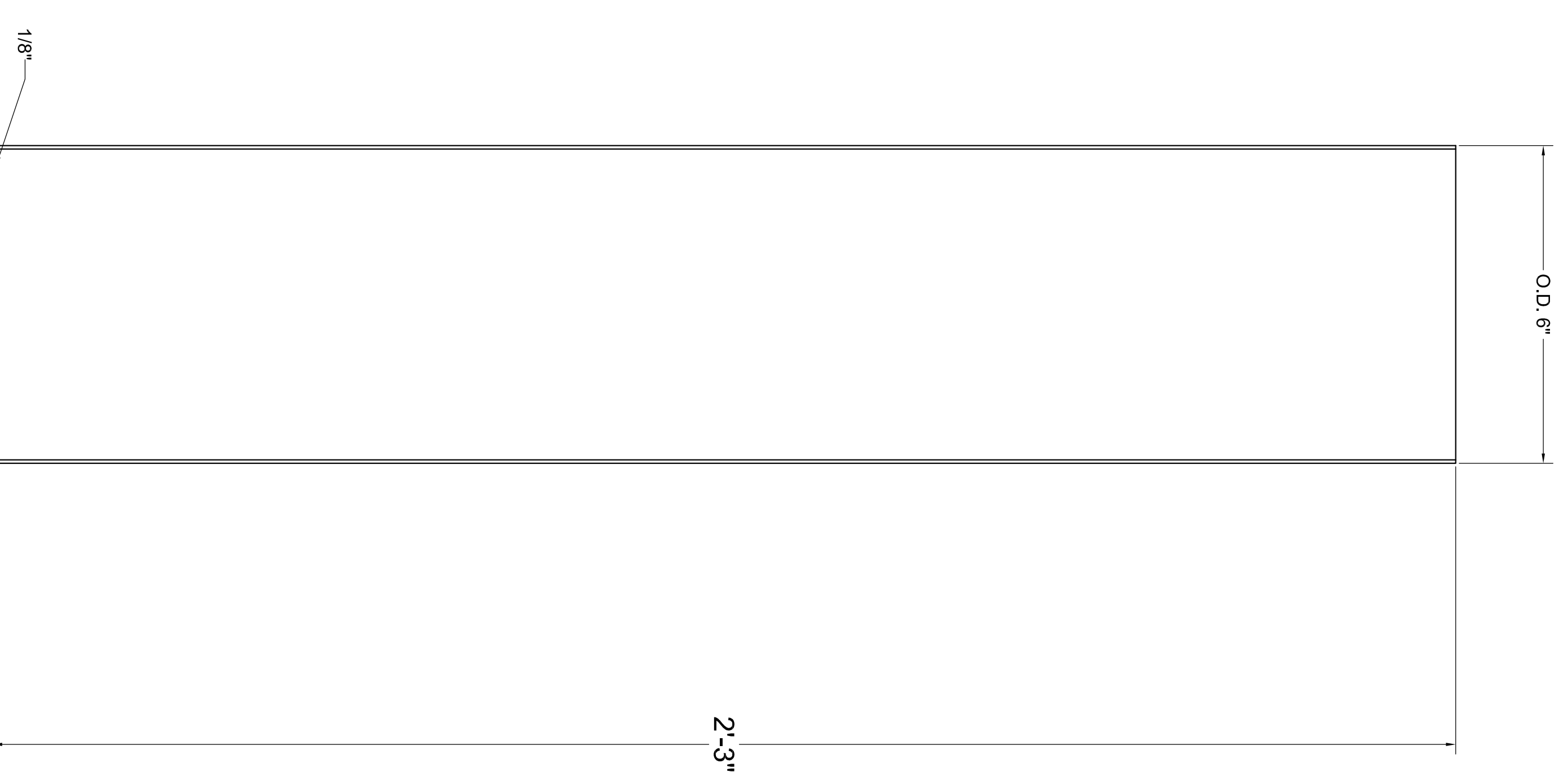
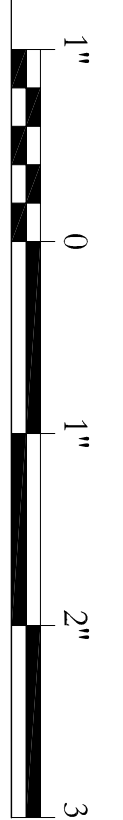
1.1 PEDESTAL DETAIL
DET-2 1" = 1"



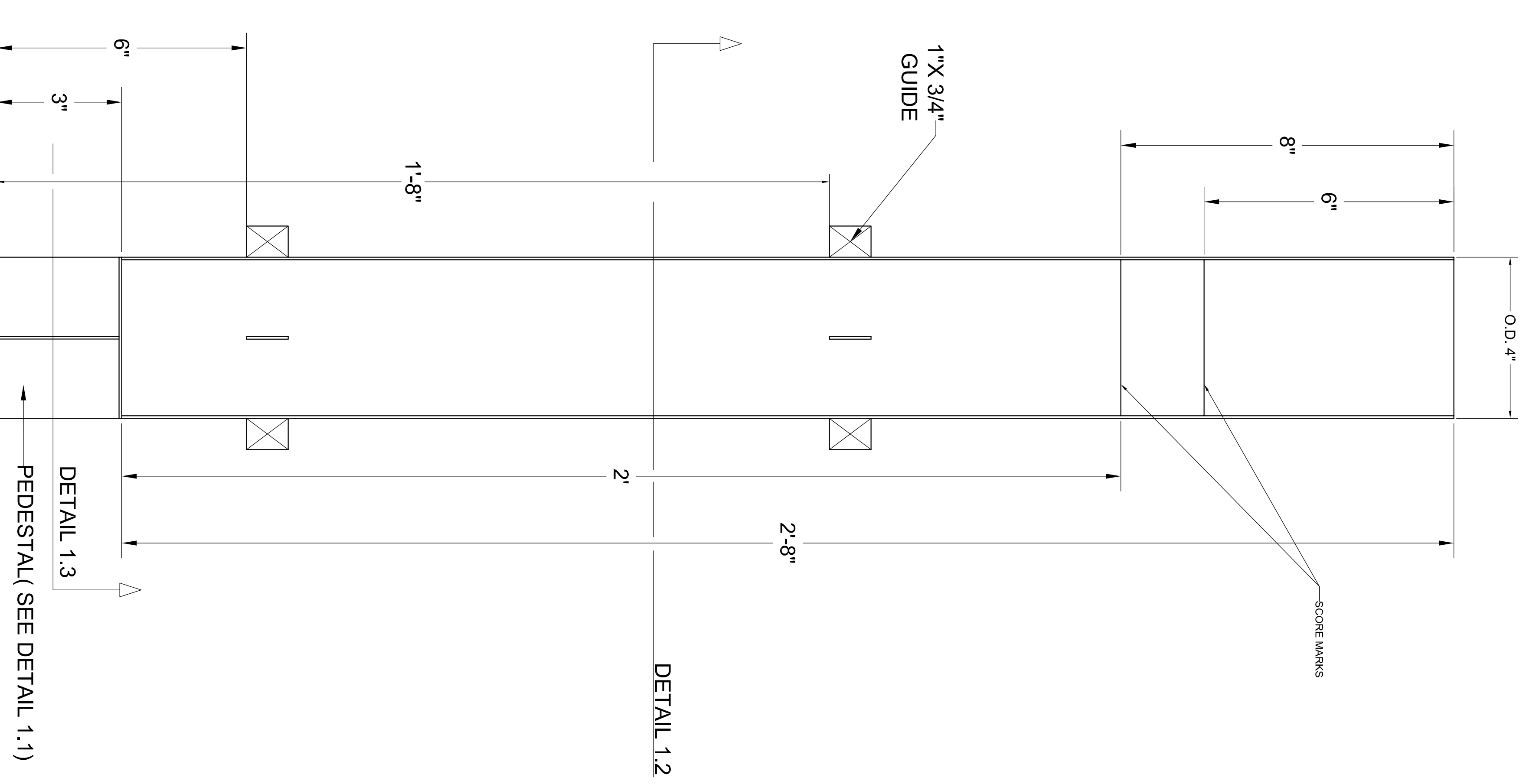
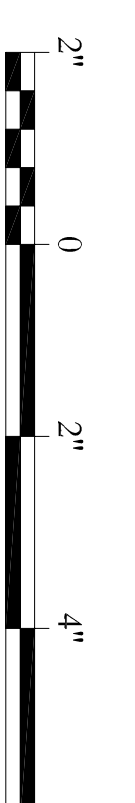
1.2 SECTION
DET-2 1" = 1"



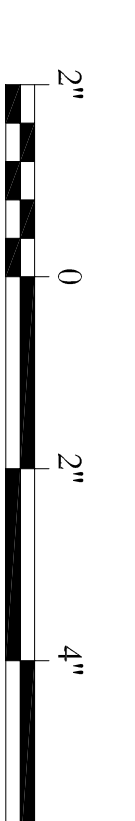
1.3 BOTTOM VIEW
DET-2 1" = 1"



1.4 ELEVATION
DET-2 6" = 1'



1.5 ELEVATION
DET-2 6" = 1'



Drawing Name:

Low-Head Falling Head Permeability
Apparatus (Stainless Steel)

Date: May 28, 2009
Scale: See Drawing

© Roofscapes, Inc.
7135 Germantown Ave.
2nd Floor
Philadelphia, PA 19119
215.247.8784

[ASTM E2396]

DET-2